

# ARCHER

FIRES

---



Challenger 5



Challenger 5+

Welcome to your Challenger 5 and Challenger 5+  
5KW Stove

User manual and installation instruction

Version 2

**All our stoves are hand made in Derbyshire (UK) from the start to finish.**

Please note it is a legal requirement under England Wales and European building regulations that the installation of the stove carried out under local authority building control approval or installed by a competent person registered with a government approved scheme.

We Recommend That you use a competent trade person to install your appliance and flue system.



Qualified installers and chimney sweeps have been assessed to national and government standards. Employing a qualified Trades person will ensure that you get the best from your New stove

This appliance does get hot whilst running. It is recommended that a suitable guard is used to protect children and the elderly or infirm

Archer Fires are CE approved, Defra exempt and can be used in smoke controlled zones only when the stop is in place and installed in accordance with the current building control regulations

Do not make unauthorised modifications to appliance

**WARNING: The stove surfaces can reach extremely high temperatures  
take care.**

You can find videos of how to use the stoves and change parts on the Archer Fires You Tube page

Contents page numbers

- P2 Contents
- P3 pre installation
- P3 ventilation
- P4 flue requirements
- P4 Installation
- P5 hearth distances
- P5 co alarms
- P5 clean air act
- P5 what to do in case of a chimney fire
- P6 commissioning
- P6 Curing process
- P7 first light
- P7 important information for wood burning
- P8 important information for solid fuel
- P9 cleaning
- P10 Defra Settings
- P11 Controls for the stove
- P12 Manufactures declaration of performance And Data Tables
- P13 Dimensions of the stoves
- P14 and P15 Distance to combustibles and non-combustibles
- P16 Frequently asked Questions
- P17 Warranty information
- P18 chimney sweep record
- P19 Data Plate location

You can find videos of how to use the stoves and change parts on the Archer Fires You tube page

## **Pre-Installation**

This appliance must be fitted in accordance with the current Building Regulations and by competent registered person.

Health and Safety Precautions Special care must be taken when installing the stove such that the requirements of the Health and Safety at Work Act are met.

Note: This appliance is heavy and must be handled with care. Adequate facilities must be available for loading, unloading and site handling.

The appliance is supplied fully assembled for a top flue arrangement.

Door and internal parts can all be removed to reduce the stove weight during installation.

The paint is soft and vulnerable to marking; refer to the maintenance section. Archer Fires must be connected to a suitable chimney. Archer strongly recommend using a complete and compliant chimney lining system.

Inside the stove you will find an Installation and user manual and a pair of Archer Gauntlets. The multi-fuel stoves also have an ash pan.

Asbestos This stove contains no asbestos. If there is a possibility of disturbing any asbestos in the course of installation then please seek specialist guidance and use appropriate protective equipment.

Metal Parts When installing or servicing this stove care should be taken to avoid the possibility of personal injury.

## **Ventilation**

Document J of the Building Regulations states that purpose provided ventilation is not required in England and Wales unless the appliance nominal rated output is greater than 5kW. Over 5kW 5.5 cm<sup>2</sup> of ventilation (550mm<sup>2</sup>) is required for every kW output above 5. For example 6.5 kW requires 8.25 cm<sup>2</sup> and 8 kW needs 16.5cm<sup>2</sup>. In any case, if difficulty in starting the fire or any excessive fuming is experienced, ventilation must be put in place as required to eliminate these flue problems. If a flue draught stabiliser is fitted then extra ventilation is required. See Document J of the Building Regulations for detailed guidance especially in new build properties. A specifically designed direct outside air connection may be used with these stoves to provide appropriate levels of ventilation (significantly in excess of the above requirements) directly to the stove and chimney as follows.

NOTE: As of early 2014 an ADJ vent is still required even if using an outside air connection.

Always ensure air vents are positioned where they cannot be blocked

Extractor Fan Warning There must not be an extractor fan fitted in the same room as the stove as this can cause the stove to emit fumes into the room. If unavoidable the appliance must be checked with Approved Document (A.D.) 1.21 and necessary action taken

Action may have to be taken if other heating appliances are in the same dwelling to make sure the correct ventilation applies.

## **Flue Requirements**

The chimney must be swept before installation and checked for soundness and suitability. The chimney must also be free from cracks and blockages. If you find the chimney is in a poor condition then expert advice should be sought.

If the stove is fitted in place of an open fire then the chimney should be swept one month after installation to clear any soot falls which may have occurred due to the difference in combustion between the stove and the open fire.

The chimney and connecting flue pipe must not narrow to less than the size of the outlet socket of the stove at any point. This appliance must not be used in a shared flue system.

The minimum flue draft is 12 pascals at nominal output.

Minimum flue height 4.5 metres.

The 125mm diameter flue models may be increased to 150mm diameter.

The 130mm diameter flue should be increased to 150mm. A 130mm flue may be used when the stove is fitted in the smoke control mode, i.e. Smoke Tab removed.

If appliance is fitted in an area that has another flue (mechanical or otherwise) a flue interference test must be completed and recorded. The appliance must be checked with reference to ADJ 1.21, and necessary action taken.

## **Installation**

In addition to these instructions the requirements of BS 8303 and BS EN 15287 must be fulfilled. Local Authority Bylaws and Building Regulations regarding the installation of Solid Fuel burning appliances, flues and chimneys must also be taken into account. The installation is a notifiable building works as defined in the Building Regulations and that it is a legal requirement under England and Wales Building Regulations that the installation is either carried out under Local Authority Building Control approval or is installed by a Competent Person registered with a Government approved Competent Persons Scheme.

Therefore this appliance and installation must comply with the following regulations:

British Standards BS 8303. BS EN 15287-1:2010

Building Regulation Approved Document J for England and Wales

Building Regulations Part F for Scotland

Building Regulations/1997 Technical Guidance Approved

Document J-Heat Producing Appliances for the Republic of Ireland

Registered Body: HETAS (GB only) INFO (Ireland)

This appliance must be fitted by an approved installer or inspected and signed off by a Building Control Officer.

**This appliance must be fitted on a top hat connector and the stove must be removable without affecting the lining of the chimney.**

### **Hearths distances**

Archer fires freestanding stoves do not require a constructional hearth beneath them as they do not cause the floor temperature to exceed 100 degrees C. Hearths must be generally level. In all instances a non-combustible superimposed hearth extending fully underneath the stove and forming an apron of at least 350mm at the front of the stove and 150mm on either side must be provided. The superimposed hearth must not be less than 12mm thick and must have a clearly defined edge (change of level) to discourage placing of any combustible materials on or partially over it. We state no combustibles underneath the hearth ie laminate floor or carpets or combustible material.

The appliance shall be installed on a floor with adequate load-bearing capacity. If the existing construction does not meet this requirement, suitable measures (e.g. load distributing plate) should be provided to achieve it.

### **CO ALARMS**

Co monitor to be installed in the same room as the appliance with a battery that lasts the lifetime of the product. Your installer should have fitted a CO alarm in the same room as the appliance. If the alarm sounds unexpectedly, follow the instructions given under “Warning Note” below. **WARNING** If the CO Alarm sounds unexpectedly:- 1. Leave the premises immediately and contact installer 2. Let the fire go out.

### **IN THE EVENT OF A CHIMNEY FIRE**

- Raise the alarm to let others in the house know.
- Call the Fire Service • Reduce the appliance burning rate by closing all air controls fully.
- Move furniture and rugs away from the fireplace and remove any nearby ornaments. • Place a fireguard or spark guard in front of the stove.
- Feel the chimneybreast for sign of excessive heat.
- Do not relight the fire until the chimney and flue ways have been examined by a professional. If the wall is becoming hot, move the furniture away. Ensure that the Fire Service can gain access to your roof space in order to check this area for signs of fire spread.

### **The Clean Air Act 1993 and Smoke Control Areas**

Under the Clean Air Act local authorities may declare the whole or part of the district of the authority to be a smoke control area. It is an offence to emit smoke from a chimney of a building, from a furnace or from any fixed boiler if located in a designated smoke control area. It is also an offence to acquire an “unauthorised fuel” for use within a smoke control area unless it is used in an “exempt” appliance (“exempted” from the controls which generally apply in the smoke control area). The Secretary of State for Environment, Food and Rural Affairs has powers under the Act to authorise smokeless fuels or exempt appliances for use in smoke control areas in England. In Scotland and Wales this power rests with Ministers in the devolved administrations for those countries. Separate legislation, the Clean Air (Northern Ireland) Order 1981, applies in Northern Ireland. Therefore it is a requirement that fuels burnt or obtained for use in smoke control areas have been “authorised” in Regulations and that appliances used to burn solid fuel in those areas (other than “authorised” fuels) have been exempted by an Order made and signed by the Secretary of State or Minister in the devolved administrations .The Smoke Control must be set for use in a smoke control area by the CPS installer.

**Archer Fires** are a range of Wood Burning and Multi-Fuel stoves that have been recommended as suitable for use in smoke control areas when burning -20% moisture wood logs and smokeless fuel only. Further information on the requirements of the Clean Air Act can be found here: <http://smokecontrol.defra.gov.uk/appliances.php>

Your local authority is responsible for implementing the Clean Air Act 1993 including designation and supervision of smoke control areas and you can contact them for details of Clean Air Act requirements

### **Commissioning**

Check all internal parts are fitted correctly and there are no gaps between the firebricks and baffles and the log retainer is secure

Archer fires Secondary baffle. Ash pan. 15mm steel grate. Log retainer. Firebricks: rear and sides and baffle.

Check all the Controls are operating fully and freely. CO Alarm: Building Regulations require that whenever a new or replacement fixed solid fuel or wood/biomass appliance is installed in a dwelling a carbon monoxide alarm must be fitted in the same room as the appliance. Further guidance is available in BS EN50292:2002 and from the alarm manufacturer's instructions. Provision of an alarm must not be considered a substitute for either installing the appliance correctly or ensuring regular servicing and maintenance of the appliance and chimney system.

On completion of installation after allowing any fire cement & mortar to dry out, the stove should be checked so that all seals/joints are sound. The flue should also be checked by lighting a small fire and checking fumes are taken from the appliance up the chimney and emitted safely.

### **The Curing Process**

We recommend that you have two or three small fires before you operate your stove to its maximum heat output. This is to allow the paint to cure steadily and to give a long service life of the paint finish. During this curing in process you may notice an unpleasant smell whilst the finishes finally cure. It is non-toxic, but for your comfort we would suggest that during this period you leave all doors and windows open.

First, open the single air control fully. Then load the firebox with plenty of starting fuel, i.e. dry kindling sticks and firelighters. A crib lattice pattern or wigwam pattern tend to work well. If using smokeless briquetted fuel, place a layer of briquetted fuel into the firebox as well. Light the fire at the base leaving the air control fully open. Leave the door ajar for 5-10 minutes to enhance initial starting and reduce smoke emission – DO NOT leave the stove unattended if the door is left ajar. Allow the fuel to reach a steady glow and build the fire up gradually by adding a few small well split logs or Maxibrite briquettes at a time. Once you have a good fire bed established across the grate, further fuel can be added step by step as required. Don't be tempted to overload the fire bed with fuel all at once or close down the air controls until the fire is really well established for some time. Once the ignition period is well under way, gradually reduce the air control opening to establish the burning intensity you require.

## **First Lighting & Operation**

This appliance is not to be used as an incinerator. Only HETAS approved wood logs and smokeless fuels are recommended by Archer for use in this appliance. This appliance is design to operate with the door closed, except for lighting and reloading, failure to close the door during operation can result in fume spillage.

Warning Note: Properly installed, operated and maintained this appliance will not emit fumes into the dwelling. Occasional fumes from de-ashing and re-fuelling may occur. However, persistent fume emission is potentially dangerous and must not be tolerated. If fume emission does persist, the following immediate actions should be taken:

Open doors and windows to ventilate room then leave the premises. Let the fire out or eject and safely dispose of fuel from the appliance. Check for flue or chimney blockage, and clean if required. Do not attempt to relight the fire until the cause of the fume emission has been identified and corrected. If necessary seek expert advice.

Your installer should have fitted a CO alarm in the same room as the appliance and in accordance with Building Regulations Document J. If the alarm sounds unexpectedly, follow the instructions given under “Warning Note” above.

Note: Before lighting please note the following points: Archer Fires must only use approved wood fuels and smokeless coal. Do not use any liquid fuels. Do not over load your stove. Never empty the ash when the fire is alight. Do not burn solid fuel and wood at the same time. Wood burns from the top down, whereas solid fuel burns from the bottom up, therefore there is a conflict of air supply for complete combustion of your fuel.

Always use the gloves provided to operate the handle and controls. This appliance will get very hot and fireguards must be used where appropriate.

## **Important Information for Wood Burning**

With a full load of wood and burning near nominal output the stove will need to be refuelled approximately every 1-1.5 hours. One or two large logs will burn longer than a number of smaller ones. Wood can usually be stacked higher in the stove than solid mineral fuel but care must be taken that logs do not touch the baffle or the glass panel. Do not stack logs above the level of the tertiary air inlet profiling in the rear ceramic firebox liners at the back of the stove.

Always make sure that flames are visible above the wood after re-fuelling for cleanest burning. Burning without flames above the fuel will create unnecessary smoke. After re-fuelling open the single air control fully to the Wood (left) side for 3 minutes or until the logs are fully blackened to achieve full flames above the fuel.

Wood burns best on a bed of ash and it is therefore only necessary to remove surplus ash from the stove occasionally. Burn only dry, well-seasoned wood, which should have been cut, split and stacked - under cover from rain - for at least 12-24 months with free air movement around the sides of the stack to enable it to dry out. Burning wet or unseasoned wood will create tar deposits in the stove and chimney and will not produce a satisfactory heat output. Wood that is not properly dry (‘dry’ is considered to be less than 20% internal moisture content) uses up energy from the burn process to evaporate the water inside the wood thus creating very poor conditions for combustion. The main cause of burning problems with wood stoves is due to excessively damp wood. Wood can appear perfectly dry on the outside but still contain 40-50% water on the inside. A moisture meter can be purchased from stove and equipment suppliers if you wish to check your wood source is correct. Split a log and check the inside as well as the outside.

**Refuelling on to a low fire bed** If there is insufficient burning material in the firebed to light a new fuel charge, excessive smoke emission can occur. Refuelling must be carried out onto a sufficient quantity of glowing embers and ash so that the new fuel charge will ignite in a reasonable period. If there are too few embers in the fire bed, add suitable kindling to prevent excessive smoke.

**Fuel overloading** The maximum amount of fuel specified in this manual should not be exceeded, overloading can cause excess smoke. Never load fuel above the bottom edge of the tertiary air profiling in the back ceramic firebox liner or allow them to touch the glass. All models max log diameter = approx. 150mm. Max length = 300mm for 5kW, 400mm for 5kW Wide, 400mm-650mm (taper firebox) for 8.5kW models. One log is acceptable ONLY if loading onto a hot well established fire bed.

**Operation with door left open** Operation with the door open can cause excess smoke and spillage into the room. The appliance must not be operated with the appliance door left open.

**De ashing** never let the ash pan over fill or build up to the underside of the grate. When burning wood it is a good idea to allow 10mm build up of ash on top of the grate when burning wood. When burning smokeless briquetted fuel always clean out after use when cooled be aware there may still be hot material within the ash.

**Information on Burning Smokeless Briquetted Fuel** - smokeless and coal type fuels require very different burning conditions to log burning and the single air control has been designed to allow for this. Use the control on the right side of its travel marked 'Coal' for best efficiency on these types of fuel. Maxibrite and other smokeless briquetted fuels can burn with very little primary air and stay in for many hours to be revived after an overnight burn for example

## Cleaning

**Glass:** Despite the advanced air wash system provided, the glass will still need cleaning from time to time depending on the fuel quality and burning rates used. Never clean glass when the stove is hot. Always use stove glass cleaner or ceramic hob cleaner, which is available from your stove retailer or supermarket. As an alternative, use a wet cloth with some of the wood ash if burning wood but be very careful to use very clean ash so as not to scratch the glass. DO NOT use coal ash to clean the glass.

**Outer body:** The outer body simply needs to be dusted or wiped with a dry clean cloth from time to time. DO NOT use any kind of furniture polish, water or cleaning agent other than your stove suppliers recommended paint.

**Inner firebox:** Brush the inside of the firebox clean from time to time to check the integrity of the plates and liners etc. See Maintenance Guide section for instructions on how to remove parts of the stove. It is not normally necessary to re-paint inside the firebox due to the high temperatures that mean that the paint does not have much effect before being burnt off. Steel and high quality cast ceramic liners are very resilient firebox materials and will give reliable service without major cleaning or work on the firebox. The ceramic liner boards are very durable but may require replacement occasionally depending upon fuels and the type of usage experienced. Firebox linings are not covered by warranty, as they are a wearing consumable part.

**Baffles:** It is essential to check the top of the baffle for build-up of soot and ash regularly (once a month) when in use and after a long period of disuse – e.g. summer. From time to time remove the baffle if necessary to ensure that the flue way entrance is clear. Remove Ash pan then log retainer and grate. Then remove one side brick by putting finger in the bottom front corner and pulling towards centre of the stove. Then the second side brick while holding the baffle up. Then drop baffle front down and remove.

Repeat in reverse to restore.

**Air Supply:** It is essential to check the air supply grille on the outside of the property if the direct outside air connection is installed. Regularly brush or vacuum out any debris, cobwebs or similar materials to ensure that the air supply is not restricted. Ensure the air intake chamber visible underneath the ash pit section with the stove door open is kept free of excessive ash or debris.

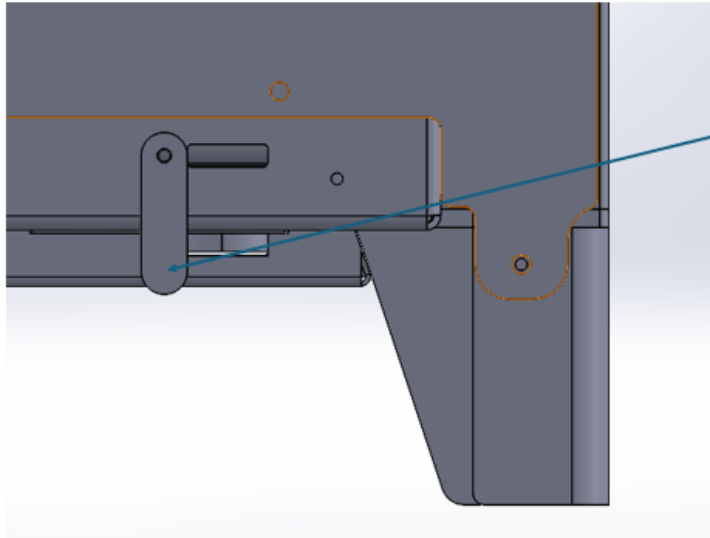
## Chimney sweeping

Once a year your chimney will need sweeping. We highly recommend a NVQ Qualified Chimney Sweep. They will ascertain if your stove and chimney is in good condition if they can fill out the service booklet at the same time we recommend this to keep your stove in the best condition.



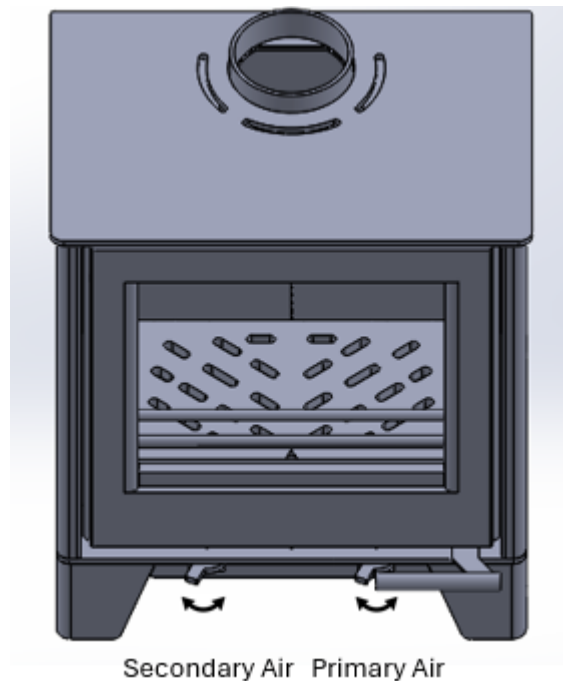
## **DEFRA SETTINGS**

### Settings for Challenger



Defra tab is located on the rear  
Of the stove  
Move to open position if located  
In a Defra exempt area

### Controls for the Vulcan L and Challenger



The right hand control is the primary and the left hand control is secondary (air wash) to open these slide left and to shut these slide right

#### Wood burning

When starting the fire open the secondary control to about 100% open fully if draw is low then primary may be used if there isn't sufficient draw if this is the case open this to maximum. After about 20-25 min the stove will be up to temperature. Shut the right hand control (primary) and control with the secondary (air wash)

#### Solid fuel

When starting the fire open the secondary control to about 100% open fully  
And the primary 100%  
After about 40 min the stove will be up to temperature.

Warning if the controls are too low this will result in lower combustion and the glass, bricks and chimney will start sooting up.

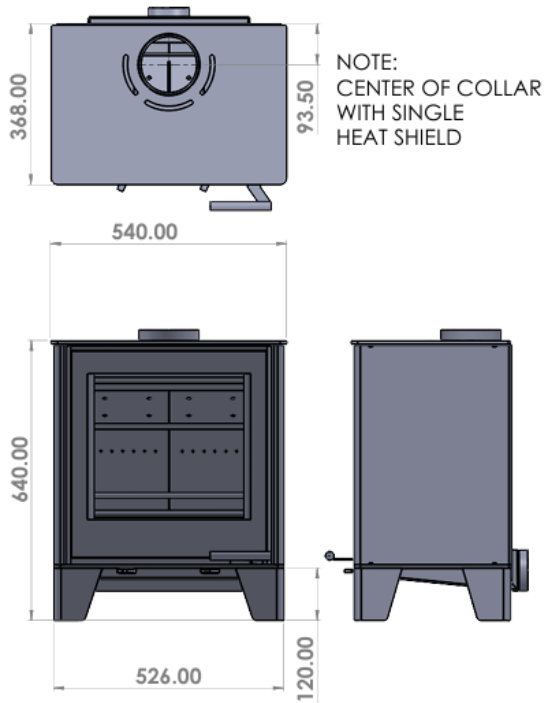
**Declaration of performance** J R Archer

**Performance Characteristics using Wood Logs And smokeless**

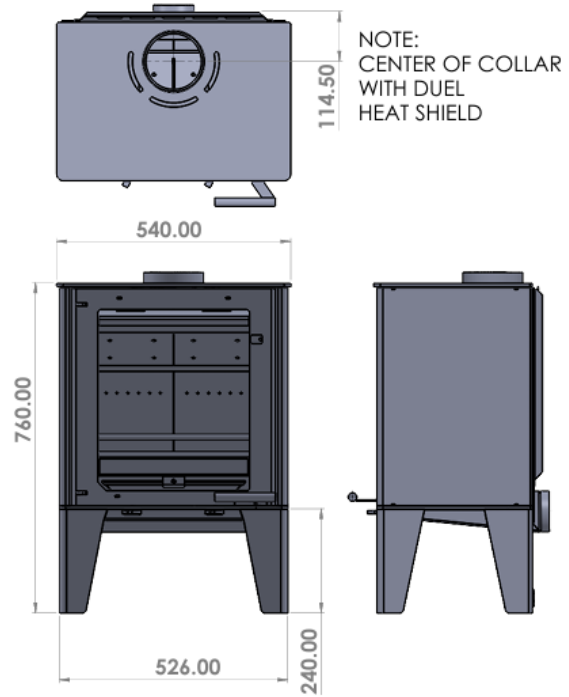
| Parameter                             | Wood logs | smokeless |
|---------------------------------------|-----------|-----------|
| Test duratio                          | 0.76      | 1.05      |
| Total efficcency                      | 86.3%     | 86.7%     |
| Nominal Heat output                   | 5         | 5         |
| Mean co2                              | 11.08     | 11.4      |
| Mean CO                               | 0.11      | 0.13      |
| Mean CO emission (at 13 % O2) %       | 0.08      | 0.09      |
| Mean CO emission (at 13 % O2) mg/Nm3  | 971       | 1073      |
| Mean flue gas temperature °C          | 204       | 207       |
| Flue gas mass flow g/s                | 3.8       | 3.0       |
| Mean CnHm emission (at 13 % O2) mg/Nm | 108       | 37        |
| Mean NOx emission (@ 13 % O2) mg/Nm3  | 106       | 123       |
| Particulates (at 13 % O2) mg/Nm3      | 32        | 39        |

**Stove Dimensions Note 125mm collar**

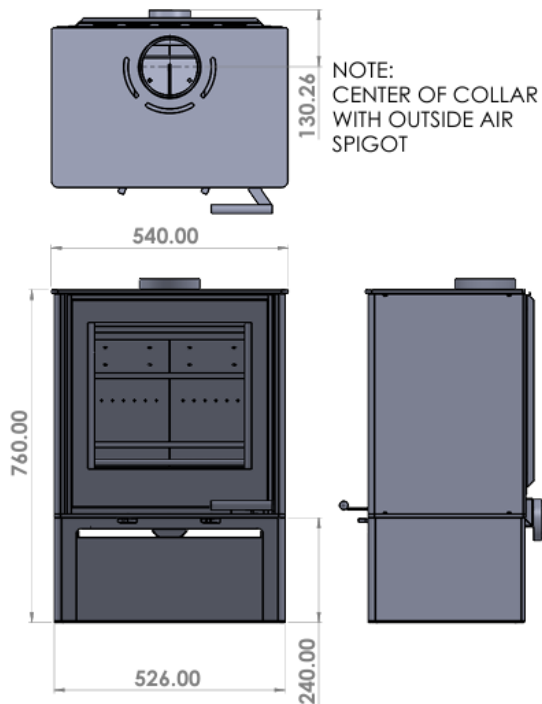
Challenger 5+ (Short leg Dimensions)



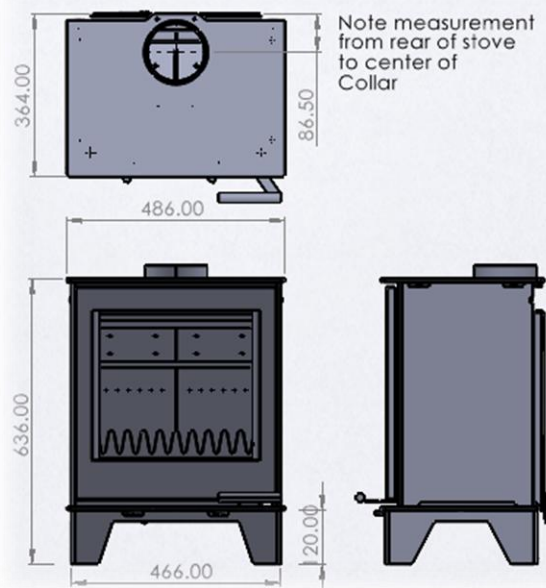
Challenger 5+ (long leg Dimensions)



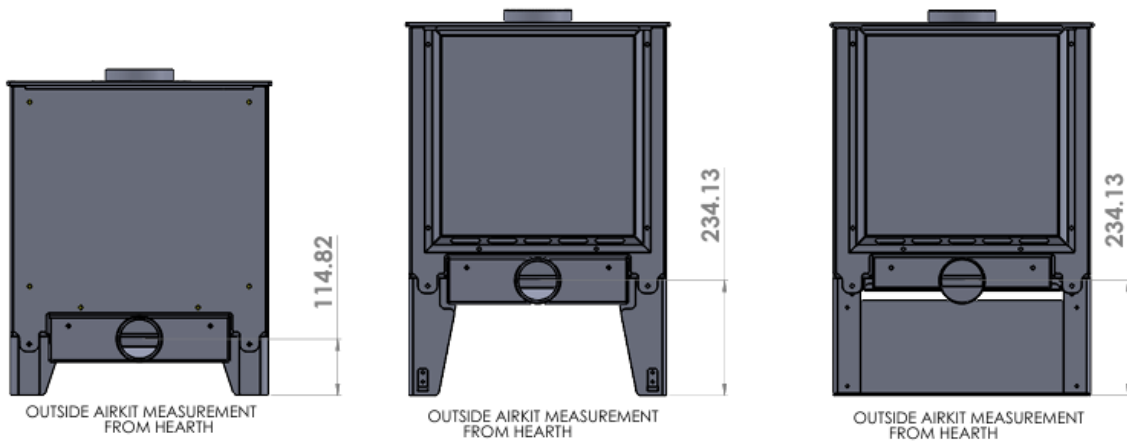
Challenger 5+ (log Box Dimensions)



Challenger 5 (Dimensions)



**Outside Air kit measurements for Challenger and Challenger 5+ Note: 100mm air kit needed Note**



**Challenger 5+ Distance to combustibles**

**Distance to combustibles with extra heat shield Diagram A**

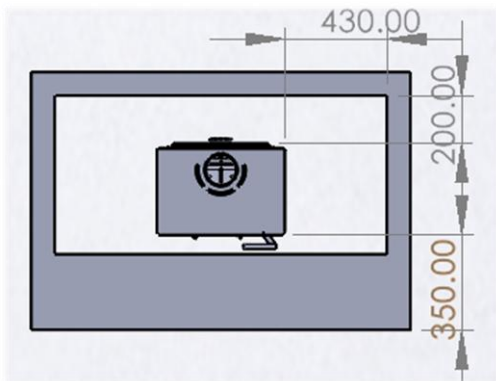
**Distance to non-combustibles without extra heatshield (recommendation only for best air flow)**

**Can be fitted as low as 50mm Diagram B**

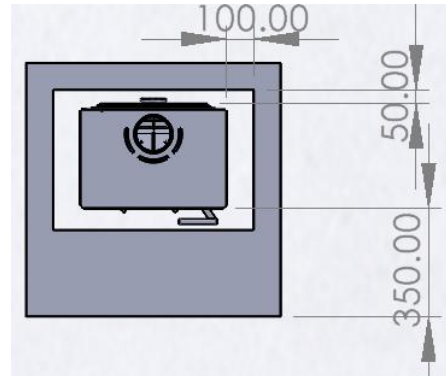
**Distance to combustibles Directly Above Diagram C**

**Note:** Distances Apply to direct line of sight from the Stove

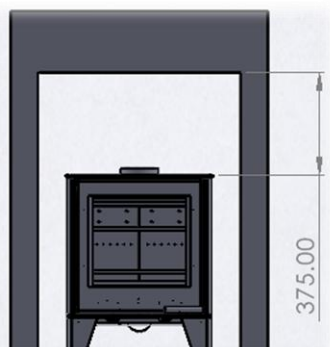
**Diagram A Challenger 5+**



**Diagram B Challenger 5+**



**Diagram C Challenger 5+**



**Challenger 5 Distance to combustibles**

**Distance to combustibles Diagram A**

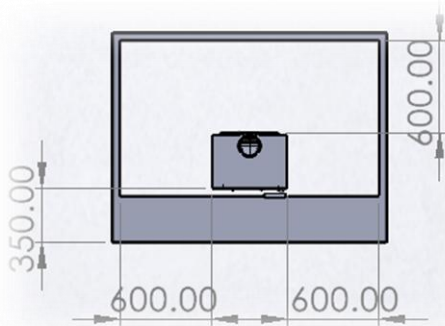
**Distance to non-combustibles without extra heatshield (recommendation only for best air flow)**

**Can be fitted as low as 50mm Diagram B**

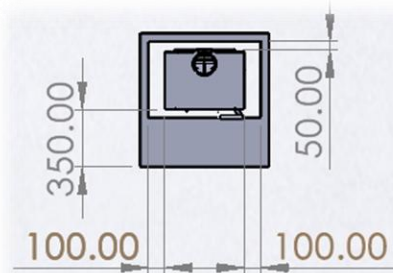
**Distance to combustibles Directly Above Diagram C**

**Note: Distances Apply to direct line of sight from the Stove**

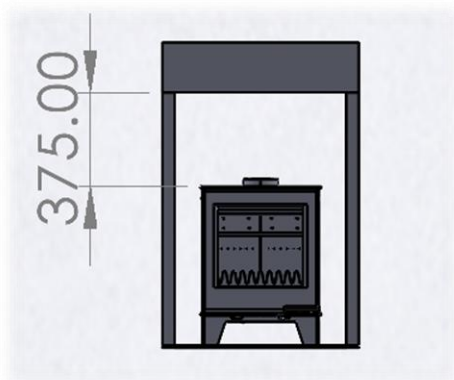
**Diagram A**



**Diagram B**



**Diagram C**



## **Frequently Asked Questions**

1 Do stoves require a chimney or a liner? All of our stoves require a suitable chimney or professionally installed flue system. A liner may or may not be required depending on flue conditions and only your installer can confirm. Our stoves do not mandatorily require a liner.

2 How do I clean the chimney? You will require a chimney sweep to clean the chimney. It is essential to provide a dedicated chimney cleaning access door when installing the flue of the stove in some situations. In many situations the chimney can be swept through the firebox.

3 Who should install my stove? Archer Fires want you to enjoy the maximum performance from your appliance. To ensure this, it is essential that they are installed correctly. We strongly recommend that your stove is installed by a suitably qualified installer e.g. HETAS, OFTEC

4 How do I regulate the heat output? Each stove has various air controls, which will allow you to easily regulate the heat output. Output can also be varied by log size and quantity fired.

5 What warranty do I get? Archer Fires will replace, free of charge, any part that fails (under normal operating conditions) within 12 months of purchase. Consumables such as glass, firebox lining boards or stove rope and adhesives are not guaranteed. We do not accept consequential or incidental liability claims from any product failure. A call out charge will apply if our engineer attends any stove problem that is not related to product failure.

6 Where can I get spare parts? Your local Archer Fires stove retailer will be pleased to supply spare parts and to provide any other information you require. Alternatively contact Archer Fires.

7 Can the doors be left open while burning? For safety and heat efficiency the doors should remain closed. These stoves are not designed or approved for doors open operation.

8 Why is the stove smoking when lit? A flue with lack of draught problems is almost certainly the cause of a smoking stove. Also check adequate ventilation is present – if opening a window or door stops the smoking then lack of ventilation is the probable main cause. A qualified fitter should complete both a smoke pressure and flow test prior to fitting the stove to ascertain the integrity of the flue.

9 Why should I “Run in” my stove? To begin, light a series of small fires over a period of a few days to allow the paint finish to cure. The stove is finished with a highly heat resistant paint. The finish can be renovated with stove paint available from your stove retailer. If the stove is not “run in” correctly, this may cause the paint to discolour and flake.

10 What is Over Firing? Over firing is overheating your stove by having the fire burning too fiercely. Your stove should never be used in a manner to cause over firing. Over firing can be caused by over loading the stove with fuel or leaving air controls fully open or operating the stove with leaking or defective door rope seals. If any part of stove glows red hot then your stove is over firing and your air control should be adjusted to reduce airflow to stove immediately. Over firing can cause permanent damage to the appliance, which is not covered by warranty.

11. Does my stove need sweeping and servicing? Yes it does at minimum once a Year. We highly recommend a NVQ Qualified Chimney Sweep.



## **Warranty Information**

**Archer Fires reserve the right to fix any problems on site.**

**ALL THE STOVES MUST BE FITTED ON EITHER A TOP HAT, ADJUSTABLE LENGTH AND BE ABLE TO BE REMOVED WITHOUT DISTURBING THE FLUE ABOVE!**

### IMPORTANT INSTALLATION NOTE

Before installing this appliance please make a note of the serial number as this is needed for the online warranty registration. Serial numbers are on the data plate at the back or base of all stoves. The Challenger models have the data plate on the rear panel (top left as you look at the stove). The Vulcan L has the date plate inside the base of the stove. 1 year standard warranty extended by 4 years if registered and purchased via dealer.

To register your stove please visit our website: [www.Archerfires.com](http://www.Archerfires.com) By registering your stove on our website we will extend the standard 12 month warranty by 4 years. The 4 year extension only applies to stoves purchased through our approved dealer showroom network and only when the stove is installed by recognised and qualified installer. To maintain your warranty you must undertake and keep regular records of a yearly service carried out by a recognised and qualified professional. Faults occurring due to poor maintenance or appliance abuse will not be covered by your warranty.

To fill in your warranty form please go to [www.Archerfires.com](http://www.Archerfires.com)

Also for helpful tips

**Learn How To Burn Right with 'Burnright'!**

For more free information including articles and videos, visit [www.burnright.co.uk](http://www.burnright.co.uk)



### Chimney Maintenance record

|                         |  |
|-------------------------|--|
| <b>Date</b>             |  |
| Swept By                |  |
| Stove in good condition |  |
| Liner in good condition |  |
| Notes                   |  |

|                         |  |
|-------------------------|--|
| <b>Date</b>             |  |
| Swept By                |  |
| Stove in good condition |  |
| Liner in good condition |  |
| Notes                   |  |

|                         |  |
|-------------------------|--|
| <b>Date</b>             |  |
| Swept By                |  |
| Stove in good condition |  |
| Liner in good condition |  |
| Notes                   |  |

|                         |  |
|-------------------------|--|
| <b>Date</b>             |  |
| Swept By                |  |
| Stove in good condition |  |
| Liner in good condition |  |
| Notes                   |  |

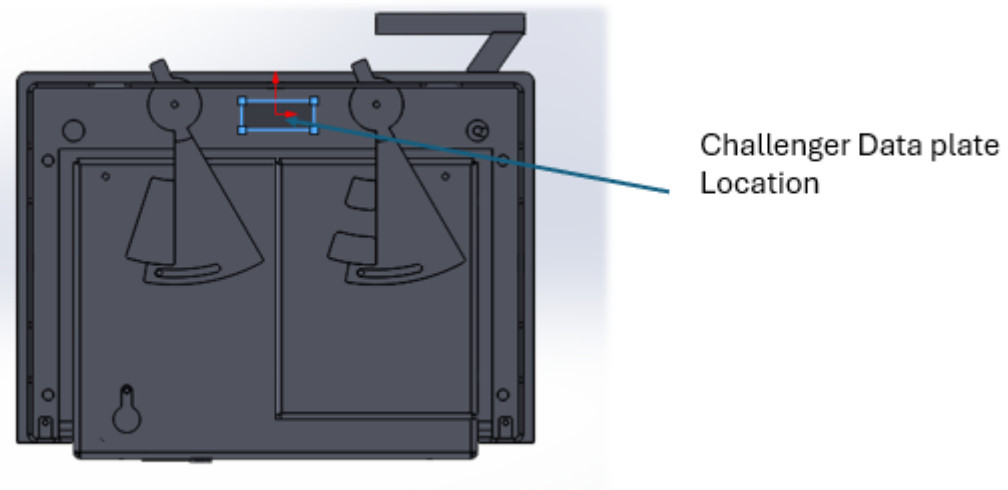
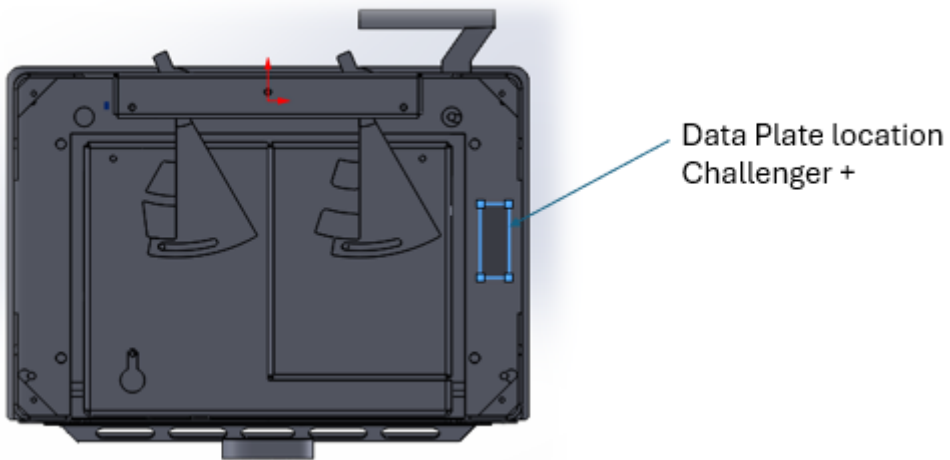
|                         |  |
|-------------------------|--|
| <b>Date</b>             |  |
| Swept By                |  |
| Stove in good condition |  |
| Liner in good condition |  |
| Notes                   |  |

|                         |  |
|-------------------------|--|
| <b>Date</b>             |  |
| Swept By                |  |
| Stove in good condition |  |
| Liner in good condition |  |
| Notes                   |  |

|                         |  |
|-------------------------|--|
| <b>Date</b>             |  |
| Swept By                |  |
| Stove in good condition |  |
| Liner in good condition |  |
| Notes                   |  |

|                         |  |
|-------------------------|--|
| <b>Date</b>             |  |
| Swept By                |  |
| Stove in good condition |  |
| Liner in good condition |  |
| Notes                   |  |

# Data Plate location



# ARCHER

---

FIRES

Brocksford Farm

Doveridge

Ashbourne

Derbyshire

DE65PA